

# TourPro

## Studio Fresnel 100 WW



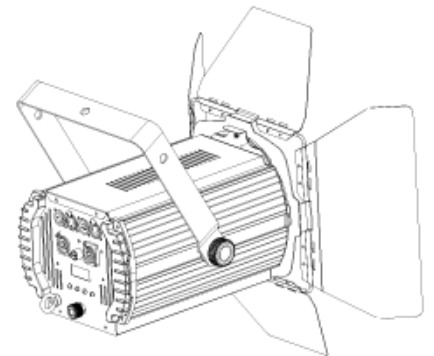
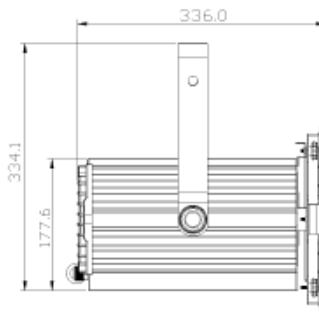
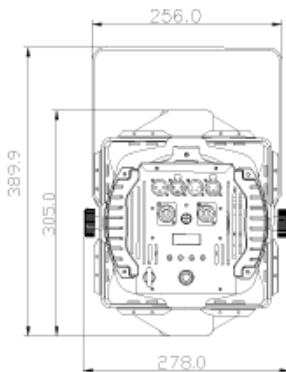
TourPro Lighting presents the Studio Fresnel 100 WW with a 100w 3000k - 3200k White CREE LED Engine and 10° - 50° Manual Zoom

Colour spectrum: Warm White 3000k - 3200k  
LED type: 100w CREE  
Dispersion: 10° / 50°  
Refresh rate: 2000Hz  
DMX input/Output: 3Pin & 5 Pin DMX  
DMX mode: 1/2 channel mode  
Dimming Mode: 2 Kinds  
Dimming Curve: 4 Kinds

Operating voltage: 110 V AC - 240 V AC / 50 – 60 Hz  
Input Voltage - DC 24v  
Power consumption: 82w  
Power connector: PowerCon  
Housing material: die-cast aluminium  
Dimensions without mounting bracket



Width: 336mm  
Height: 278mm  
Depth: 334mm  
Weight: 6 kg



+61 2 4646 1199  
[sales@showtools.com.au](mailto:sales@showtools.com.au)  
[www.showtools.com.au](http://www.showtools.com.au)