



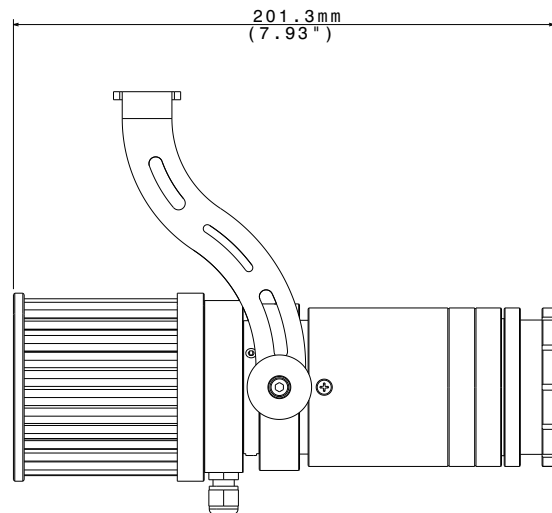
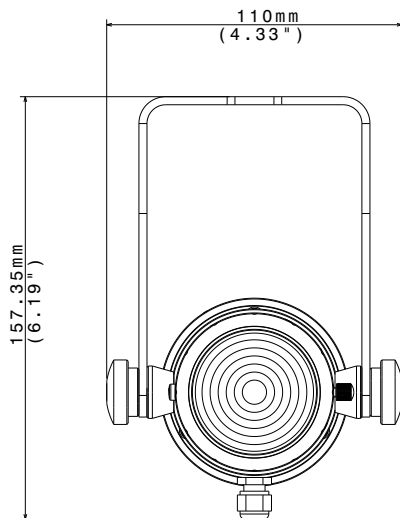
ARTEMIO FRESNEL

**THE ULTRA COMPACT FRESNEL PROJECTOR:
HIGH LUMINOSITY WITH ONLY 25 W**

ARTEMIO FRESNEL is a **LED-based ultra compact projector** equipped with a **single high-power 25 W white LED source**. ARTEMIO FRESNEL features a \varnothing 50 mm Fresnel lens and a **14° to 42° linear zoom**. The unit is powered by **DRIVENET** series external PSU. Thanks to a dedicated kit is possible to instal the fixture on electrified rails.



Installation example: Track adapter on-off



ARTEMIO FRESNEL 3000 K
03.ART001

ARTEMIO FRESNEL 4000 K
03.ART008

ARTEMIO FRESNEL 5000 K
03.ART010

OUTPUT

- Single high-power White 3000 K LED
- 1,830 Lumens @ 700mA
- CRI >90
- Also available with 4000 K or 5000 K LED
- LED lifespan: 50.000 hours (70% lumen output)

OPTICAL GROUP

- Ø 50 mm Fresnel lens
- 14°- 42° linear zoom

CONTROL

- On-Off / DMX 512 / RDM / DALI / Art-Net (external driver is required)

POWER SUPPLY

- External PSU:
 - _ DRIVENET 28C DIN @48Vdc
 - _ DRIVENET 28 EZ / 416 / 832 PSU (Full-range 100-240Vac 50-60 Hz)
 - _ DRIVENET 1664 PSU (range 180-240Vac 50-60 Hz)
 - _ External 36 W PSU with

Dimmer

- _ External 36Vdc 700mA max Constant Current PSU
- Power consumption: 25 W max

CONNECTIONS

- Power supply: 2 x 0,5 mm² cable (2 m length)

OPERATING TEMPERATURE

-10° / 40° C

PHYSICAL

- IP20
- Weight: 0.9 Kg (2 lbs)
- Finishing: Black

SHIPPING

- Packaging: Carton box
- Box size for 4 units (LxHxD): 335 x 300 x 315 mm (13.2" x 11.8" x 12.4")
- Weight: 4 Kg (8.8 lbs)

CONNECTIONS CHART

DRIVENET 28C DIN @48Vdc	DRIVENET 28 EZ	DRIVENET 416	DRIVENET 832	DRIVENET 1664
Max 8 (4 items per output)	Max 8 (4 items per output)	Max 16 (4 items per output)	Max 32 (4 items per output)	Max 64 (4 items per output)

ACCESSORIES ON REQUEST

- Barndoor + filter holder (code 03.ART012)
- Filter holder (code 03.ART014)
- Holographic filter soft-edge (code 0506A132.D19)
- Holographic filter 60°x10° (code 0506A092.D19)
- 2 x 0,5 mm² cable (code 0509C120)
- "C" Clamp G50 - Max. Load 10 Kg (code 0521A012)
- Safety cable 3 mm x 60 cm, max capacity load 60 Kg (code 0521A010)
- External power supply 36 W with Dimmer (code 03.LA.240)

- Constant current PSU 700mA 9-48Vdc *IP67 (code 0502T031)
- Constant current PSU 500-1400mA 60W *Push Dimming *DALI *230Vac (code 0514M240)
- Constant current PSU 500-1400mA 60W *Push Dimming *DALI *100Vac (code 0514M241)

ACCESSORIES FOR ELECTRIFIED RAIL MOUNTING

- Track adapter On-off - black finishing (code 03.LA.232)
- Track adapter Dali - black finishing (code 03.LA.233)
- Track adapter Dimmer - black finishing (code 03.LA.234)

PHOTOMETRIC DATA

LED current 700mA

	3000 K	mt 2 ft 6.56	mt 4 ft 13.12	mt 6 ft 19.68	mt 8 ft 26.25	mt 10 ft 32.81
BEAM ANGLE 14° @ 50%						
lux center (lx)	2385	596	265	149	95	
foot candles (fc)	222	55	25	14	10	
diameter (cm)	49	98	147	196	246	
diameter (ft)	1.61	3.22	4.83	6.458	8.06	
BEAM ANGLE 42° @ 10%						
lux center (lx)	905	226	101	57	36	
foot candles (fc)	84	21	10	6	4	
diameter (cm)	154	307	461	614	768	
diameter (ft)	5.04	10.08	15.11	20.15	25.19	