

Operating Instructions

# Force 120



Version: 1.1 (2018-03-02) - en-us



[Support@germanlightproducts.com](mailto:Support@germanlightproducts.com)

[www.germanlightproducts.com](http://www.germanlightproducts.com)

## Content

1	Representation conventions.....	3
2	Safety.....	4
2.1	General safety information.....	4
2.2	Intended use.....	4
3	Transport and storage.....	5
4	Scope of delivery.....	6
5	Description of devices.....	7
6	Assembly and connection.....	8
6.1	Set up device.....	8
6.2	Connect the device.....	8
7	Operation.....	9
7.1	Control device.....	9
7.2	Menu structure.....	9
7.2.1	DMX start address and setup.....	9
7.2.2	Settings.....	10
7.2.3	Information.....	11
7.2.4	Manual control.....	12
7.2.5	Test.....	12
7.2.6	Service.....	12
7.3	Switch off device.....	13
8	Cleaning and maintenance.....	14
9	Technical data.....	15
10	Recycling/disposal/environmental protection.....	16
11	Contact.....	17

## 1 Representation conventions

This manual contains recurring features that reflect the function of certain information:

---

**Warning**

Indicates a hazard with a medium level of risk, that may result in severe injury or death if it is not avoided.

---

**Attention**

Risk of equipment damage.

---

**Advice**

Indicates a helpful note in the current context.

---

One or more **bolded** words indicate a term that can be found exactly the same on the product.

One or more *italicized* words indicates an index entry or an important technical term.

1. Instructions are numbered.

- ✓ As are results or outcomes of these actions.

## 2 Safety

### 2.1 General safety information



#### Important information

- Read documentation carefully
- Observe the safety information in this chapter
- Follow instructions and warnings
- Only use equipment as instructed in this document
- Observe notes and symbols on the product
- Keep documentation on hand for later reference
- Pass documentation on to the next user
- Keep available near the system at all times
- Observe documentation for additional components used as well



#### Danger through electrical voltage

- Only connect equipment to a grounded safety socket
- The corresponding fuse must be the correct size for the equipment
- Completely cut the power to the equipment before installation, cleaning, maintenance, or repairs
- Do not clean equipment under running water or by immersing in liquid



#### Proper handling

- Do not make any modifications to the equipment
- Do not drop equipment or expose it to severe mechanical pressure. The equipment can sustain heavy damage from the impact.
- Regularly check equipment for damage. If damaged, turn the equipment off and fully disconnect from the power supply. Contact customer service or retailer.



#### Maintenance and repair

- Do not repair equipment yourself. Contact customer service or retailer.

### 2.2 Intended use

This device is developed for commercial use. Private use is not permitted.

It may only be operated indoors in a dry environment.

Protect against moisture and spray water.

Several devices must not be stacked on top of each other.

The device serves as a wind machine to generate moving light effects at events. It may not be used for any other purpose.

This device is not intended to be used by people with limited physical, sensory or mental capabilities or lack of experience and/or lack of knowledge unless supervised or instructed by a person responsible for their safety the device.

The manufacturer is not liable for damage caused by improper use of the device.

### 3 Transport and storage

---



**Attention**

Do not drop equipment or expose it to severe mechanical pressure. The product can sustain damage from the impact.

Only store equipment in dry areas.

---

Use the supplied or appropriate packaging material for storage and transport.

To lift the device, use the carrying handles on the casing.

## 4 Scope of delivery

---



### Advice

Check the scope of delivery for completeness after unpacking.  
Check device for visible damage.

---



Number/component	Description
1 x Force 120	
1 x PowerCON True1	
1 x Operating Instructions	

---



### Advice

Order optional accessories directly from your specialist retailer. List to be found online at [www.germanlightproducts.com](http://www.germanlightproducts.com).

---

## 5 Description of devices

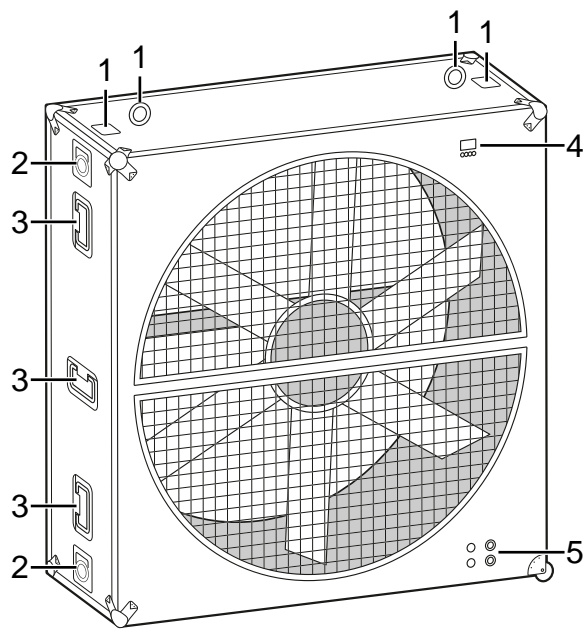


Image 1: Description - Force 120 (back)

- |  |                               |
|--|-------------------------------|
| <b>1</b> Safety eyelets                  | <b>4</b> Display with buttons |
| <b>2</b> D-rings/suspensions (two-sided) | <b>5</b> Connections          |
| <b>3</b> Carrying handles (two-sided)    |                               |

## 6 Assembly and connection

### 6.1 Set up device

The device can be operated standing and hanging. With safety factor 12, a maximum of two devices can be operated among each other.



#### Attention

High air flows. Objects in the area can be damaged or damage the Force 120.

- Make sure that there are no light, unsecured objects up to 3 meters in front of and behind the device.

#### Stationary

##### Condition(s)

- The installation site has sufficient carrying capacity (at least 100 kg).
1. Place the device on the ground with the rubber feet.
  2. Orient the device so that the front is clearly visible.
  3. Secure the device with safety ropes.
    - ✓ The device is set up and can be connected.

#### Hanging

1. Attach the brackets to the D-Rings.
2. Secure the device with safety ropes.
  - ✓ The device is suspended and can be connected.

### 6.2 Connect the device

#### Connection panel

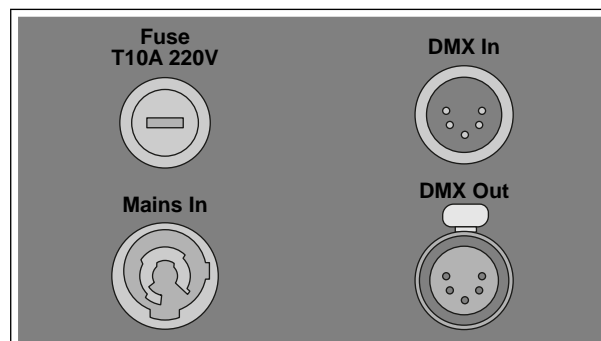


Image 2: Connection panel

**Fuse:** Fuse holder

**Mains in:** Input PowerCON True1

**DMX in:** DMX input (5-pin)

**DMX out:** DMX output (5-pin)

#### Connect the device

##### Conditions

- The device is set. ([see chapter 6.1](#))
1. To establish the signal connection, connect the device and other devices or the controller with a DMX cable. Therefore plug in the DMX cable **DMX in** and **DMX out**.
  2. Plug in the PowerCON True1 cable into the PowerCON True1 input **Mains in** of the device.
  3. Plug in the plug of the PowerCON True1 cable into a socket.
    - ✓ The device is now connected and ready for use.



## 7 Operation

### 7.1 Control device

#### Control panel

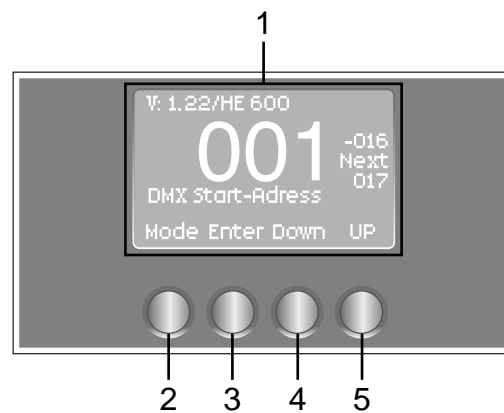


Image 3: Control panel

- 1 Display
- 2 **MODE**: Opens the main menu
- 3 **ENTER**: Open menu item or confirm setting
- 4 **DOWN**: Navigate up/increase value
- 5 **UP**: Navigate down/decrease value

#### Use DMX control

##### Conditions

- The device is connected with a DMX control.
- The fan is not covered by other objects.
- ▶ Control the speed, acceleration and lighting with a DMX control.
  - ✓ The device conducts the setup.

### 7.2 Menu structure

The menu structure consists of up to 5 menu levels.

#### 7.2.1 DMX start address and setup

##### DMX start address

Level 2	Level 3	Level 4	Level 5	Value	Description
1 - 505					DMX start address

##### Setup

Level 2	Level 3	Level 4	Level 5	Value	Description
DMX mode	Normal				
	High resolution				
DMX input	<b>Wired DMX</b>				Use wired DMX as input

7.2.2 Settings

Level 2	Level 3	Level 4	Level 5	Value	Description	
Shutter	Error Blackout	ON / <b>OFF</b>			Light output is stopped if an error occurs	
	No DMX Blackout	ON / <b>OFF</b>			Light output is stopped if DMX fails for 3 seconds	
Init Positions	Save				Save current positions as initial positions after reset without DMX	
	Reset				Reset initial positions after reset without DMX	
Dimming Curve	Linear				Set the desired dimming curve	
	Soft					
	<b>Extra Soft</b>					
DMX hold	<b>Hold</b>				Last DMX values are hold if DMX fails	
	Off				Fixture blacks out if DMX fails	
	Fade out				Last DMX values are hold if DMX fails	
PWM frequency	Set 582-618 Hz, 1200Hz, 2400Hz				Sets the LED PWM frequency	
Display	Contrast	0 - <b>50</b> -100 %			Contrast of the display	
	Brightness	0 - <b>100</b> %			Brightness of the display (auto brightness has to be disabled)	
	Blackout time	1 - <b>10</b> -30 s			Time after which the display blacks out after last keystroke (auto blackout has to be enabled)	
	Display orientation	Normal				Flip display up/down
		Inverted				

Level 2	Level 3	Level 4	Level 5	Value	Description
		<b>Auto</b>			Display is flipped automatically by the acceleration sensor if fixture is hanging
	No DMX Flash	<b>ON / OFF</b>			Display flashes if DMX fails
Reset factory settings	Confirm (yes/no)				Resets all values to default (except for serial number)

### 7.2.3 Information

Level 2	Level 3	Level 4	Level 5	Value	Description
System errors				List	Show all recent errors (permanent)
System versions	Main (SW/HW)				Show all versions: Software (main application, boot loader) & hardware
Fixture information	Fixture hours	Total hours		0-99999 h	Time the fixture is running in total
		Resettable hours		0-99999 h	(resettable)
	Boot count			0-99999	Count how often the fixture was switched on
DMX input monitor	Fan			<b>0 - 255</b>	Show all DMX values
	Speed/angle			<b>0 - 255</b>	
	Special/control			<b>0 - 255</b>	
	Shutter			<b>0 - 255</b>	
	Dimmer			<b>0 - 255</b>	
	Red			<b>0 - 255</b>	
	Green			<b>0 - 255</b>	
	Blue			<b>0 - 255</b>	
Color			<b>0 - 255</b>		

### 7.2.4 Manual control

Level 2	Level 3	Level 4	Level 5	Value	Description
Reset	Full system reset	Confirm (yes/no)			
Manual DMX	Fan	<b>0 - 255</b>			
	Speed/angle	<b>0 - 255</b>			
	Special/control	<b>0 - 255</b>			
	Shutter	<b>0 - 255</b>			
	Dimmer	<b>0 - 255</b>			
	Red	<b>0 - 255</b>			
	Green	<b>0 - 255</b>			
	Blue	<b>0 - 255</b>			
	Color	<b>0 - 255</b>			
	Reset all values	Confirm (yes/no)			

### 7.2.5 Test

Level 2	Level 3	Level 4	Level 5	Value	Description
Pan	ON / <b>OFF</b>				
Color test	ON / <b>OFF</b>				
All test	ON / <b>OFF</b>				

### 7.2.6 Service

Level 2	Level 3	Level 4	Level 5	Value	Description
Key code	<b>0 - 255</b>				Enter code first to get in the service menu (reset automatically after fixture restart or after 10min with no display input)
Serial	0 - 99999				Last 5 digits of the serial number. Needed for correct working RDM
LED calibration	LED1	Red	0 - <b>128</b> - 255		
		Green	0 - <b>128</b> - 255		
		Blue	0 - <b>128</b> - 255		

### **7.3 Switch off device**

- ▶ Disconnect the device from the power supply.
  - ✓ The device is switched off.

## 8 Cleaning and maintenance

Force 120 is a low-maintenance device. Depending on the operating environment, surfaces must be cleaned on a regular basis.

---



### Warning

Danger of electrical shock. Electric cables can cause serious injury if they come into contact with cleaning agents.

- Disconnect the mains plug before cleaning.
  - Observe local health and safety regulations.
  - Wait until the device has cooled down after previous operation.
  - Do not repair the device yourself. Contact the customer service or retailer. ([see chapter 11](#))
- 

1. Clean the surface with a dry, soft and clean cloth.
- 



### Attention

Do not use aggressive detergents, alcohol or other chemical agents.

---

2. Suck or sweep away dust from the openings.
  - ✓ The cleaning is complete.

## 9 Technical data

<b>Version</b>	<b>Force 120</b>
<b>Device dimensions</b>	400 x 1,400 x 1,400 mm 15.75 x 55.12 x 55.12 inch
<b>Weight (net)</b>	94 kg 208 lbs
<b>Supply voltage</b>	100-240 VAC, 50-60Hz
<b>Power (at 230 V)</b>	1,000 W
<b>DMX allocation</b>	5 pin XLR: (+) = pin 3; (-) = pin 2; Ground = pin 1
<b>Protection class</b>	IP20
<b>Minimum / maximum ambient temperature</b>	-20 – 45 °C -4 – 113 °F
<b>Maximum fan speed</b>	750 revolutions/min.
<b>Minimum fan speed</b>	30 revolutions/min.

## 10 Recycling/disposal/environmental protection



### Recycling

Dispose of packaging material in an environmentally friendly manner in accordance with local waste disposal regulations.



Dispose of residues of operating materials in accordance with locally or operationally applicable disposal regulations.

After decommissioning and disassembly of the system or individual components, these must be disposed of in agreement with the manufacturer according to local regulations.

Do not dispose of batteries and rechargeable batteries in household waste. Dispose of batteries and rechargeable batteries at designated collection points.

This device is marked in accordance with the European Directive 2012/19/EU on waste electrical and electronic equipment.

Electrical and electronic devices must not be disposed of with household waste. Their components must be supplied separately for reuse and disposal.

At the end of its service life, return the device free-of-charge to the manufacturer, point of sale or a public collection point set up for this purpose.



---

## 11 Contact

### Manufacturer

GLP German Light Products, Inc.  
1145 Arroyo Ave., Unit A  
San Fernando, CA 91340

### Support

<b>Online</b>	<a href="http://www.germanlightproducts.com">www.germanlightproducts.com</a> To use the online support, it is required to go through a one-time registration process. Then log into the online support using your registered user account.
<b>E-mail</b>	<a href="mailto:support@germanlightproducts.com">support@germanlightproducts.com</a>
<b>Phone</b>	+1 818 767 8899







GLP German Light Products, Inc.

1145 Arroyo Ave., Unit A

San Fernando, CA 91340

Phone: +1 818 767 8899

E-mail: [Support@germanlightproducts.com](mailto:Support@germanlightproducts.com)

Website: [www.germanlightproducts.com](http://www.germanlightproducts.com)