

TourPro



SHOWTOOLS
INTERNATIONAL

TourPro LED Pinspot 40

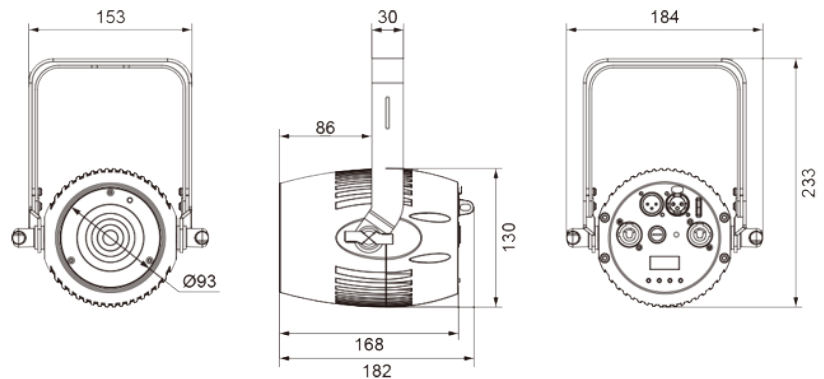


TourPro Lighting presents the LED Pinspot 40 - A compact LED Pinspot with a Powerful 40w Osram Quad RGBW LED engine and optional optic lenses . The LED Pinspot 40 is equipped with RDM, 16-Bit dimming , 3600 Hz refresh rate and flicker free management control, making it perfect for TV applications and live video recorded events. This small fixture is built to make a big impact on your next project.

Colour spectrum: RGBW 4-in1
Number of LEDs: 1
LED type: 40w
Dispersion: 4.5° Beam Angle
Included Lenses: 10°, 45°
Flicker free management for TV Applications
DMX input/Output: with RDM
DMX mode: 2/3/4/9 channel modes
Quick electronic strobe 1 ~ 20 Hz
Built-In Macro's
Internal Programs
Custom Programs
Natural cooling without fan
Display: LCD display
Optional Accessories: Lenses
Operating voltage: 110 V AC - 240V AC / 50 – 60 Hz
Power consumption: 45w
Power connector: P/Con
Housing material:
Aluminium Die Cast



Width: 184mm
Height: 182mm
Depth: 233mm
Weight: 2.1kg
IP Rating: IP30



SHOWTOOLS
INTERNATIONAL

+61 2 4646 1199
sales@showtools.com.au
www.showtools.com.au